



Wyndmaster 501D

Traverse and Pancake Payout System



FEATURES

- Table Platform with Non-Skid Surface - or - Traverse Unwinder (Rim Drive)
- CW or CCW Operation
- Variable Feed Rate
- Ultrasonic Loop Control

OPTIONS

- Powered Reel Lift System
- Single Spindle Paper Interleaf
- Custom Product Tooling



Customized Products
For Any Applications!

jcrautomation.com

JCR Automation
1426 Ryan Rd
New Haven, IN 46774
Phone: 260-493-6606





Wyndmaster 501D

Specifications

POWER REQUIREMENTS

120 VAC, 20A

ROTATION

CW or CCW

MATERIAL WIDTH (MAX)

2 Inches

PALLET TABLE DIAMETER

44 Inches

FEED RATE CAPABILITY

Variable up to 1200 IPM

PALLET CAPACITY

4500 Pounds

FEED DIRECTION

Left to right or right to left (Per Customer Requirements)

MOTOR

1750 RPM, 1 HP

TOTAL LAYER HEIGHT

26 Inches

REEL WIDTH

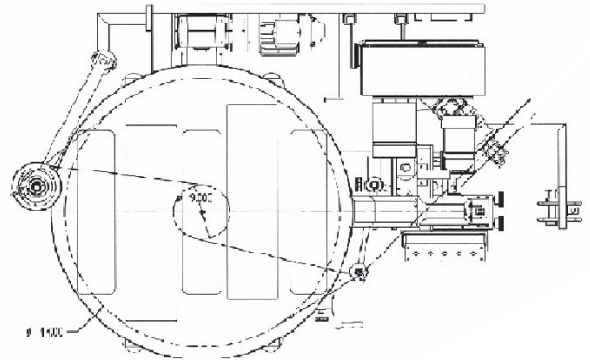
17 Inches

REEL DIAMETER

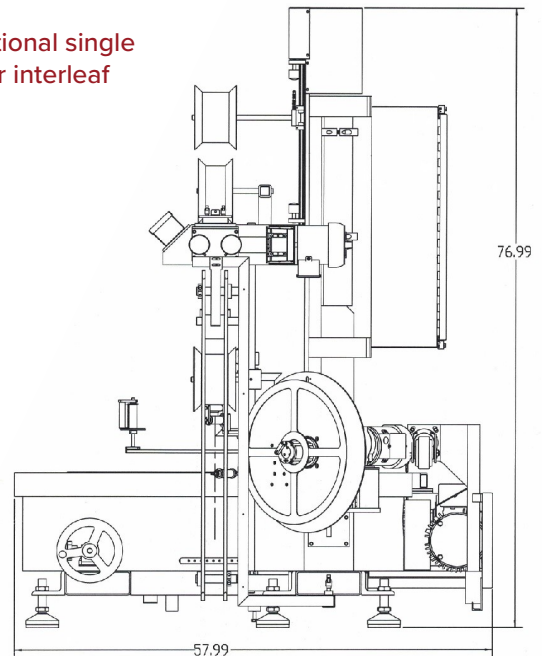
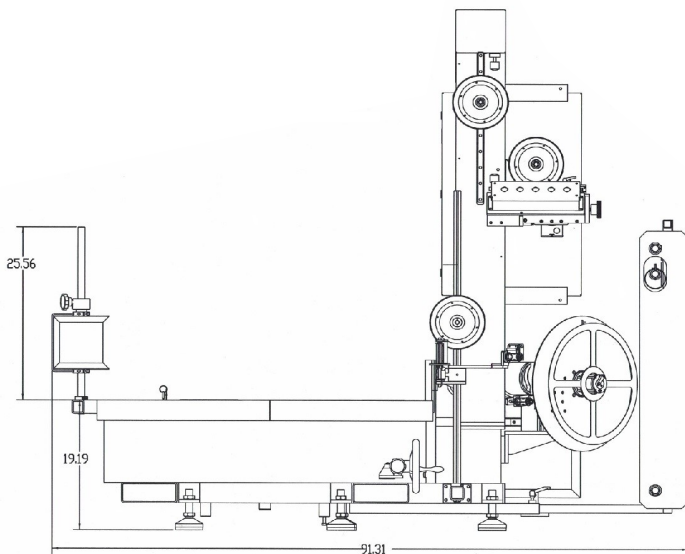
36 Inches

REEL CAPACITY

2500 Pounds



Shown with optional single spindle paper interleaf



Customized Products
For Any Applications!

jcrautomation.com

JCR Automation
1426 Ryan Rd
New Haven, IN 46774
Phone: 260-493-6606

