



Rim Drive

Traverse Payout System



FEATURES

- Traverse Unwind Rim Drive
- CW or CCW Operation
- Variable Feed Rate
- Ultrasonic Loop Control
- Press Shut-Down Circuit
- 2500 lb Weight Capacity

OPTIONS

- N/A



Customized Products
For Any Applications!

jcrautomation.com

JCR Automation
1426 Ryan Rd
New Haven, IN 46774
Phone: 260-493-6606





Rim Drive

Specifications

POWER REQUIREMENTS

240 VAC, 20A

FEED RATE COMPARABILITY

Variable up to 1200 IPM

REEL WIDTH

17 Inches

WHEEL DIAMETER

36 Inches

WHEEL CAPACITY

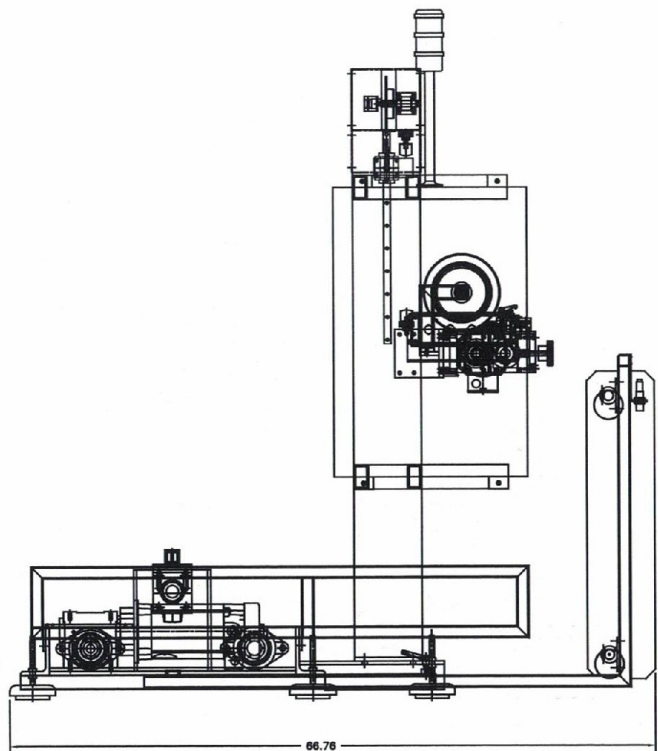
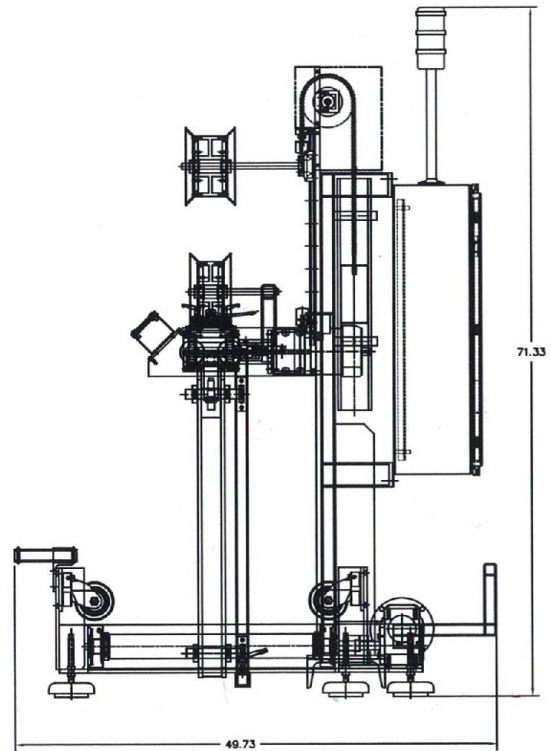
2500 Pounds

MOTOR

1750 RPM, 1 HP

ROTATION

CW or CCW



Customized Products
For Any Applications!

jcrautomation.com

JCR Automation
1426 Ryan Rd
New Haven, IN 46774
Phone: 260-493-6606

